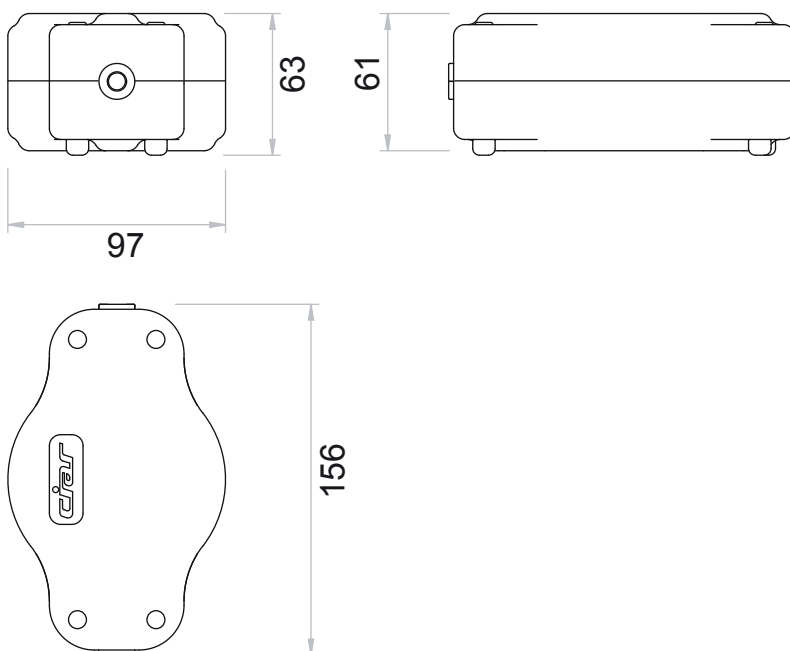


Transformer box view

**Main characteristics:**

- Supply voltage: 230/120 Vac, 50/60 Hz
- Outlet voltage: 20-25 Vac (possibility of double supply)
- Power: 36-100 Va
- For ring coil or lamellar transformer use
- Low magnetic emission



Overall dimensions

