

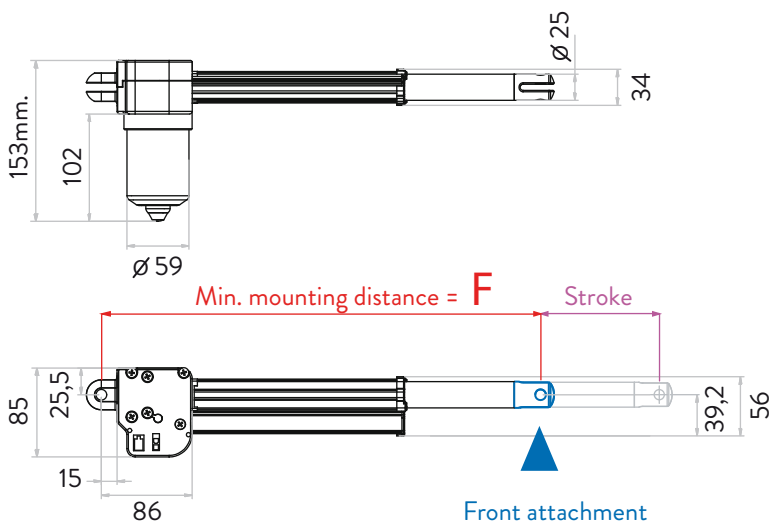
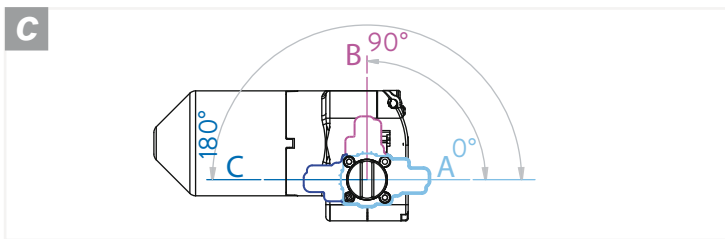
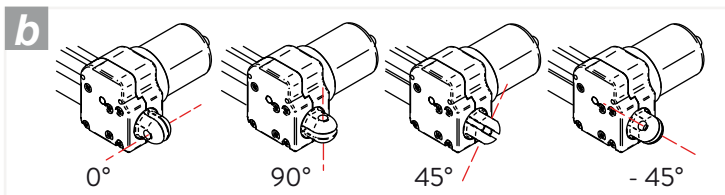
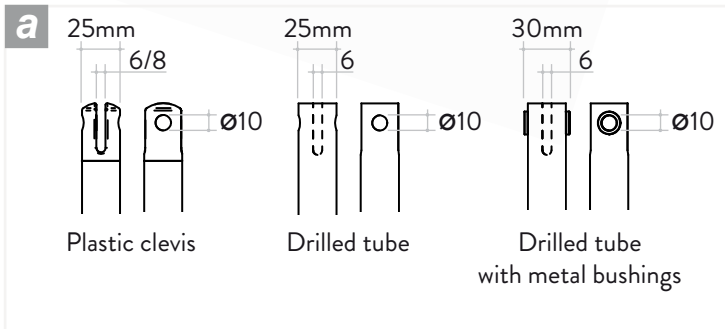


MAIN FEATURES


- Maximum load push/pull: 6000N/5000N
- Speed : from 2 to 30 mm/sec.
- Mounting dimensions: 140mm. + Stroke
- Stroke: from 30 to 568mm. (with Minimum mounting distance)
- Adjustable limit switches

TECHNICAL DATA:

- Duty cycle: 2 min. ON and 5 min.OFF
- Weight: 1750 gr. (approximative)
- IP protection: IP30
- Housing: Aluminum anodized / Black plastic
- Tube: Zinc plated \varnothing 25mm.
- Spindle \varnothing 16mm.
- Front attachment **a**
- Rear attachment **b**
- Microswitches housing orientation **c**
- Third microswitch



DIMENSIONS:

Front attachment 	F
Plastic clevis	177mm
Drilled tube	152mm
Drilled tube with metal bushings	140mm