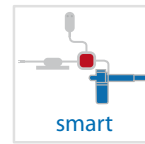
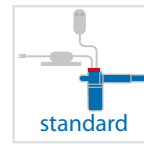


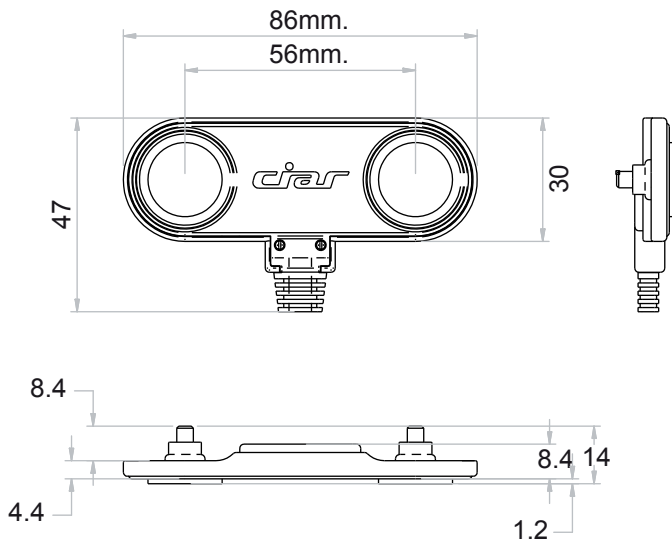
SENSORS: SMART TOUCH



MAIN FEATURES

- Capacitive touch sensor
- Miniaturized control box for easy application
- Touch sensor buttons mounted onto control box
- Touch sensor intensity detection *
- Electro-static discharge protection
- Electro-magnetic field interference protection

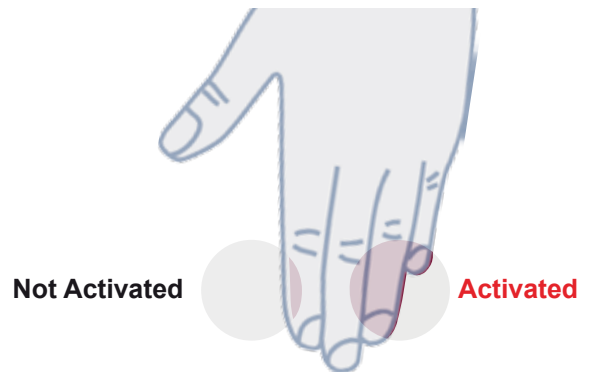
DIMENSIONS



TECHNICAL DATA:

- Mounted under cover
- Phone cable: 150cm
- Min. mounting distance: 5,5cm
- Supply Voltage: 20÷30Vdc

* Touch sensor intensity detection



STANDARD KIT CONFIGURATIONS

