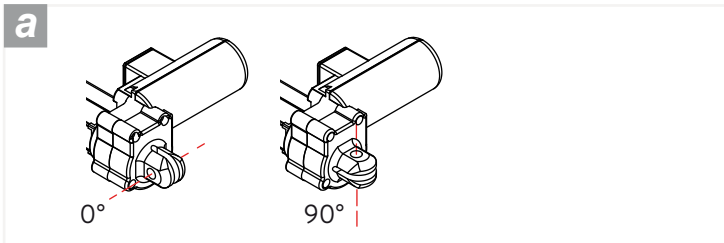


MAIN FEATURES

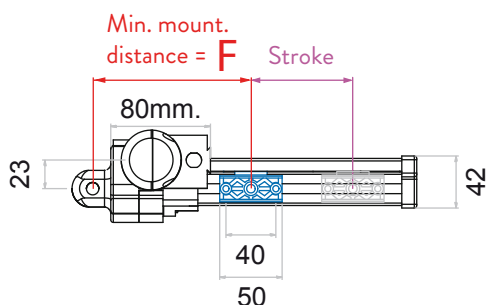
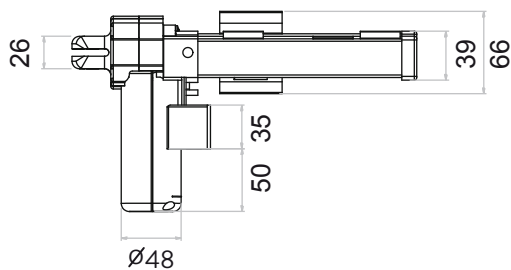
- Maximum load push/pull: 3000N/3000N
- Speed : from 2 to 30 mm/sec.
- Mounting dimensions: 112mm. + Stroke
- Stroke: from 30 to 500mm. (with Minimum mounting distance)
- Adjustable limit switches

TECHNICAL DATA:

- Duty cycle: 2 min. ON and 5 min.OFF
- Weight: 1750 gr. (approximative)
- IP protection: IP30
- Housing: Aluminum anodized / Black plastic
- Spindle Ø 16mm.
- Rear attachment **a**
- Third microswitch



DIMENSIONS:



Attachment	F
Sliding nut	112mm